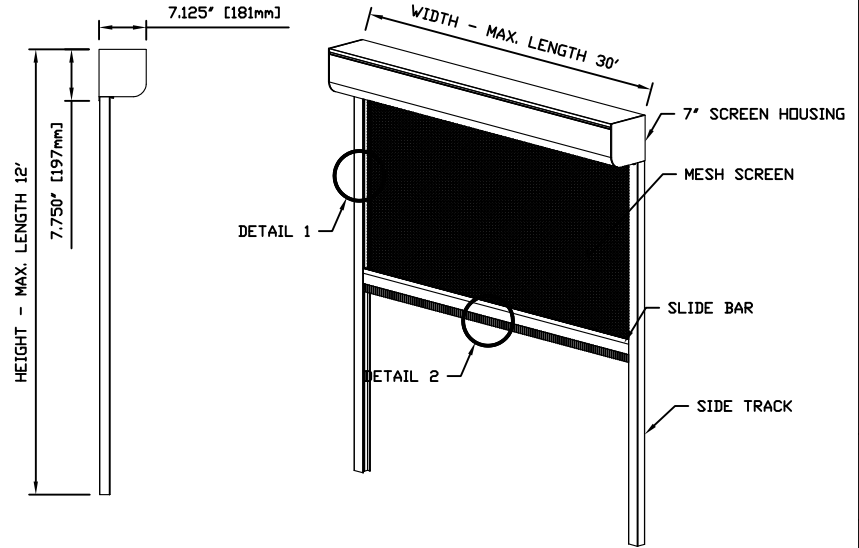
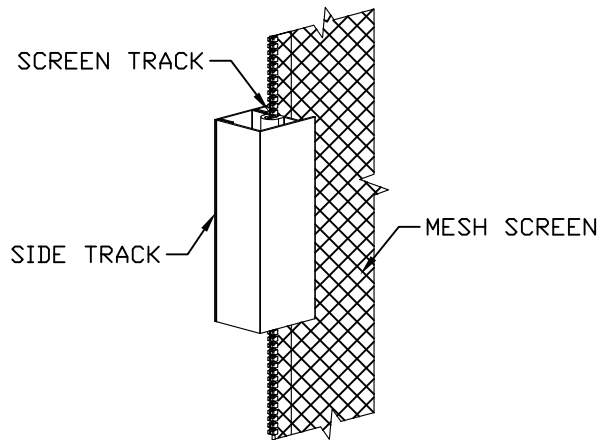


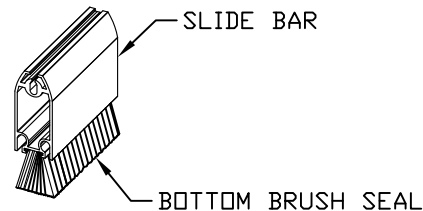
5 1/2" STANDARD SCREEN ASSEMBLY  
SCALE: 3/8" = 1'-0"



7" ALTERNATIVE HOUSING SCREEN ASSEMBLY  
SCALE: 3/8" = 1'-0"



DETAIL 1  
SCALE: 3" = 1'-0"



DETAIL 2  
SCALE: 3" = 1'-0"

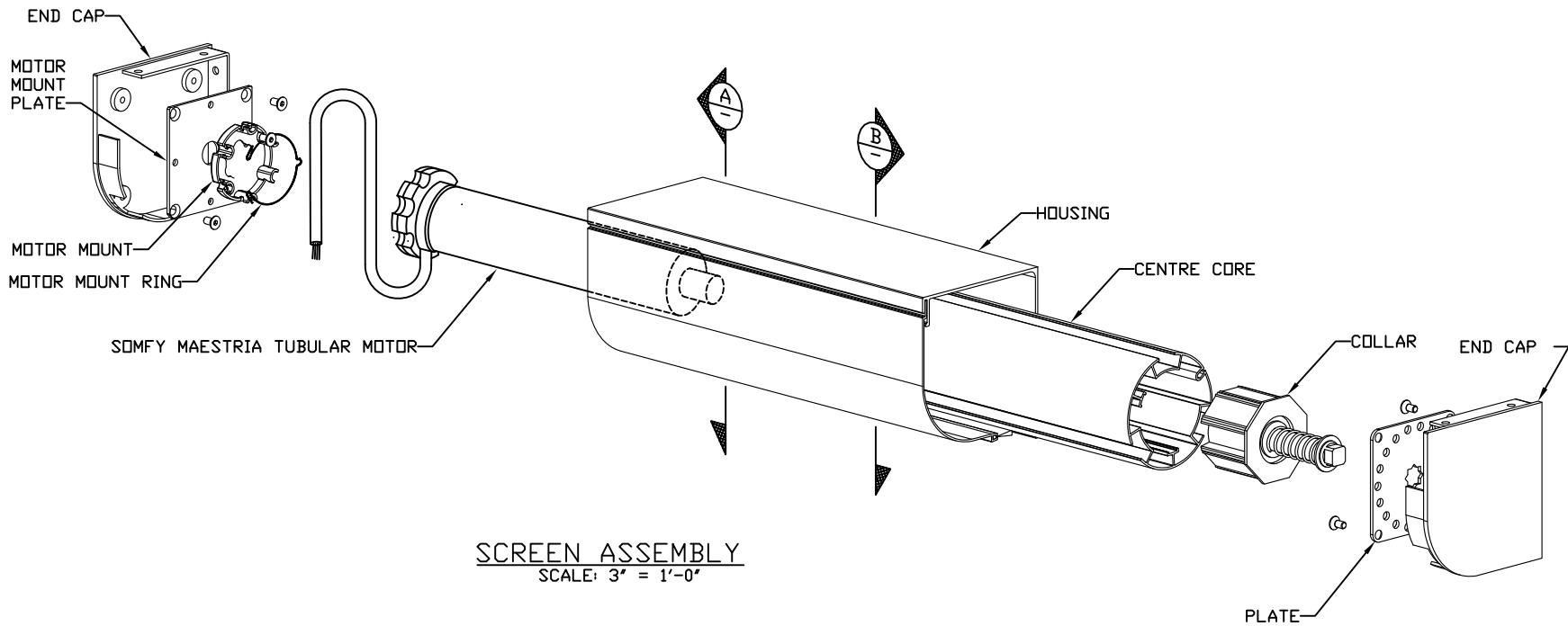
**A-01**

SCALE: N.T.S. DATE: 12-5-19  
**HEADER INSTALLATION**

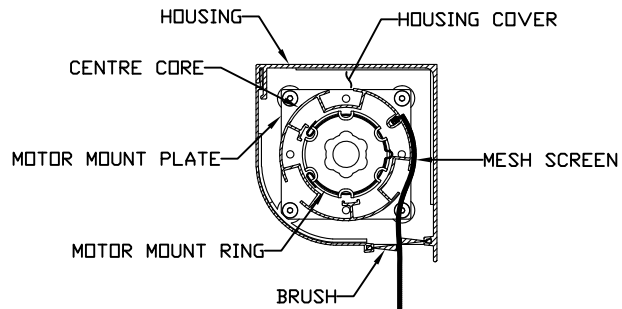
DRAWN BY:  
© 2019 SUNPRO MOTORIZED AWNINGS & SCREENS

Rev.	Date	By	Revision

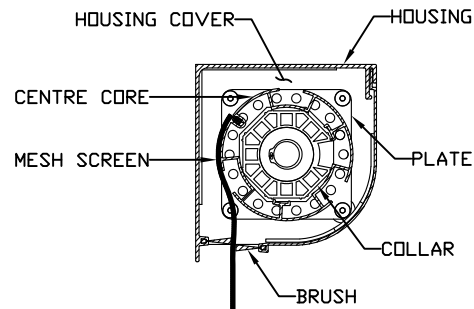




SCREEN ASSEMBLY  
SCALE: 3" = 1'-0"



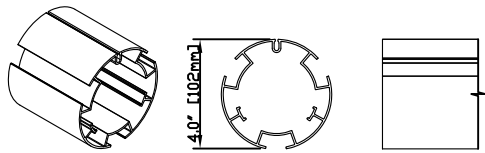
SECTION VIEW A  
SCALE: 3" = 1'-0"



SECTION VIEW B  
SCALE: 3" = 1'-0"

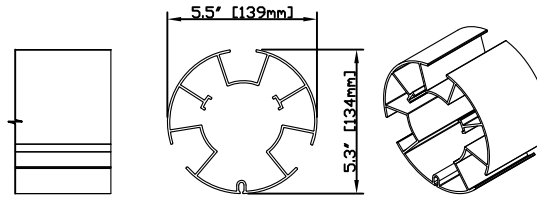
Rev.		Revision		DATE: 12-5-19	SCALE: N.T.S.	A-02
By		Date		DRAWN BY:	© 2019 SUNPRO MOTORIZED AWNINGS & SCREENS	HEADER INSTALLATION





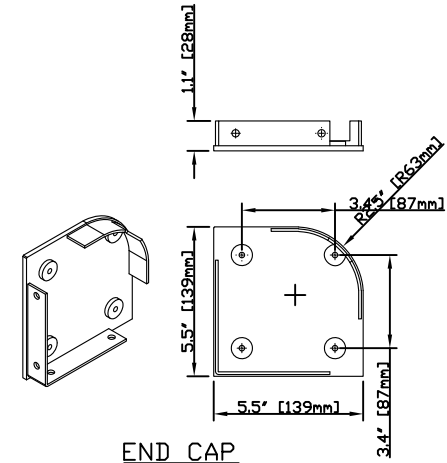
**4" STANDARD CENTRE CORE**

SCALE: 3" = 1'-0"  
WEIGHT: 1.8 lb/ft



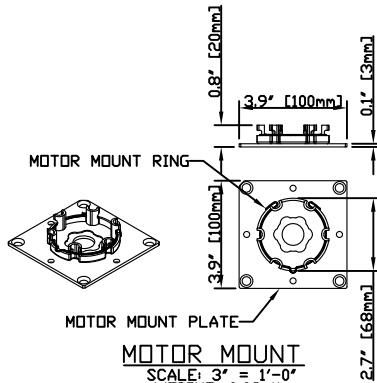
**5 1/2" OPTIONAL CENTRE CORE**

SCALE: 3" = 1'-0"  
WEIGHT: 2.8 lb/ft



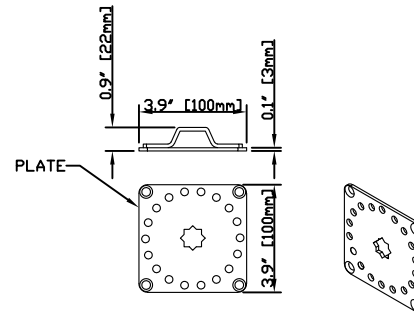
**END CAP**

SCALE: 3" = 1'-0"  
WEIGHT: 0.75 lb



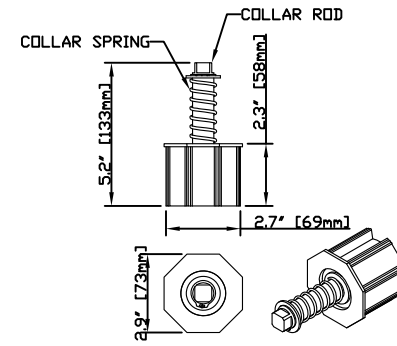
**MOTOR MOUNT**

SCALE: 3" = 1'-0"  
WEIGHT: 0.63 lb



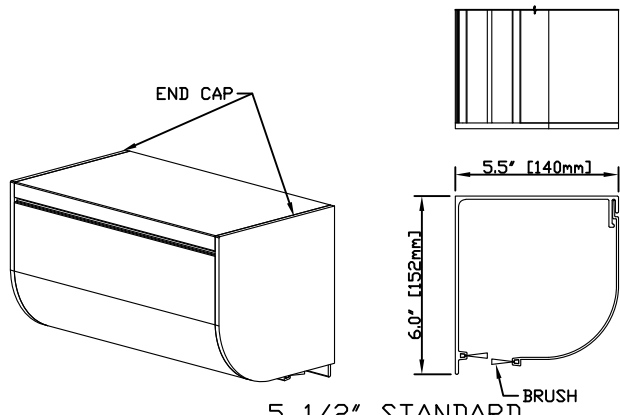
**COLLAR BRACKET**

SCALE: 3" = 1'-0"  
WEIGHT: 0.75 lb

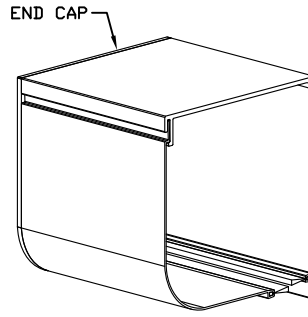


**COLLAR**

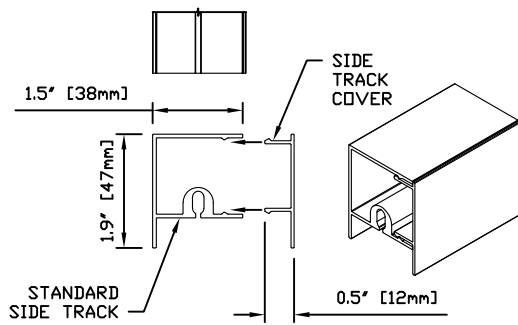
SCALE: 3" = 1'-0"  
WEIGHT: 1.25 lb



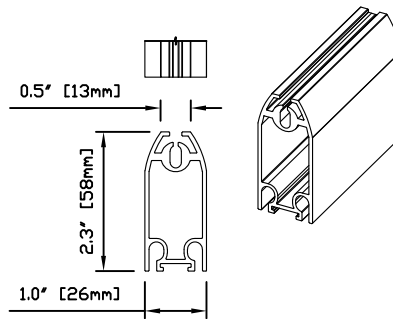
**5 1/2" STANDARD HOUSING**  
 SCALE: 3" = 1'-0"  
 WEIGHT: 2 lb/ft



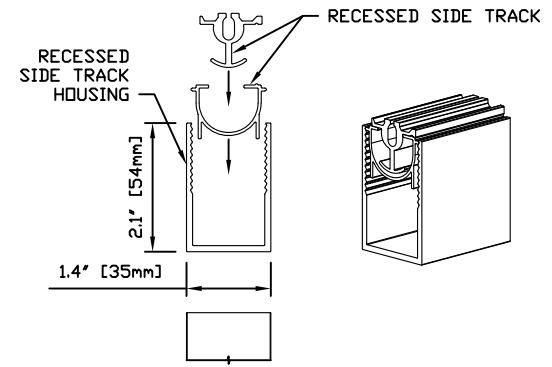
**7" ALTERNATIVE HOUSING**  
 SCALE: 3" = 1'-0"  
 WEIGHT: 4.25 lb/ft




**SIDE TRACK**  
 SCALE: 6" = 1'-0"  
 WEIGHT: 0.32 lb/ft



**SLIDE BAR**  
 SCALE: 6" = 1'-0"  
 WEIGHT: 0.75 lb/ft



**RECESSED TRACK**  
 SCALE: 6" = 1'-0"  
 WEIGHT: 0.71 lb/ft

		Rev.	Revision	By	Date	Drawn By:	Scale: N.T.S.	Date: 12-5-19	<b>A-04</b> <b>HEADER INSTALLATION</b>