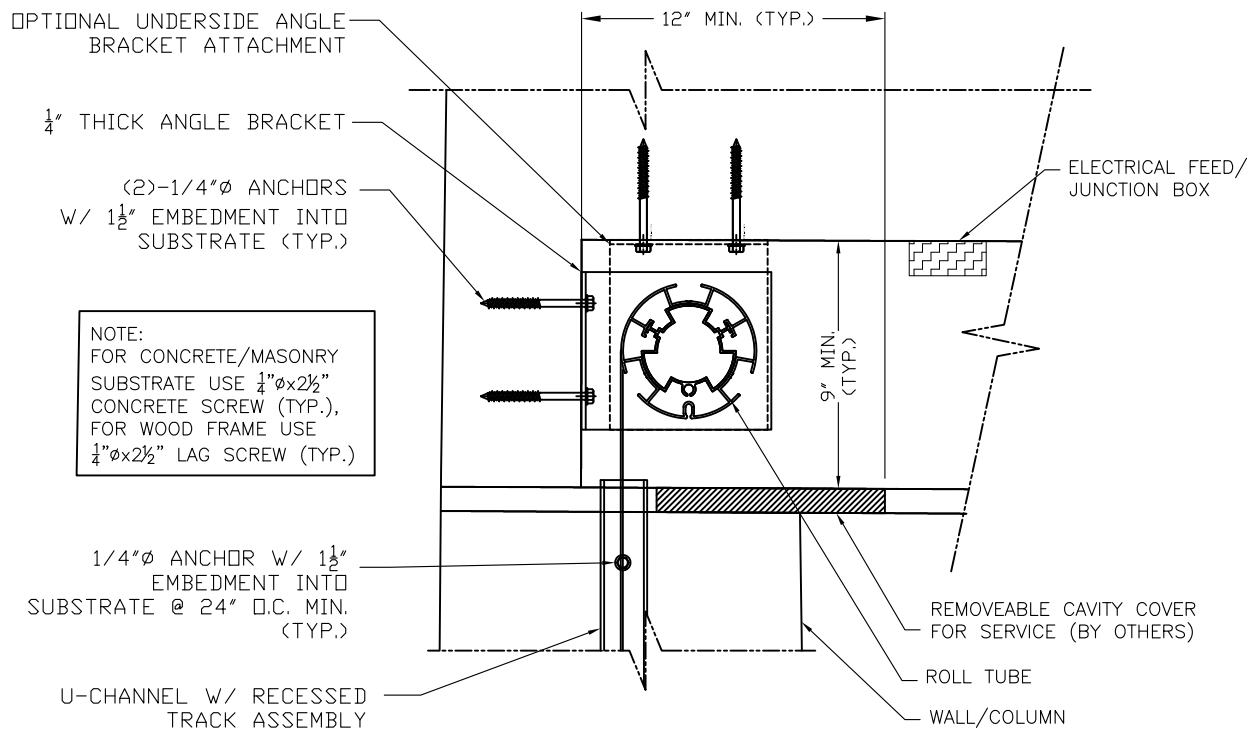


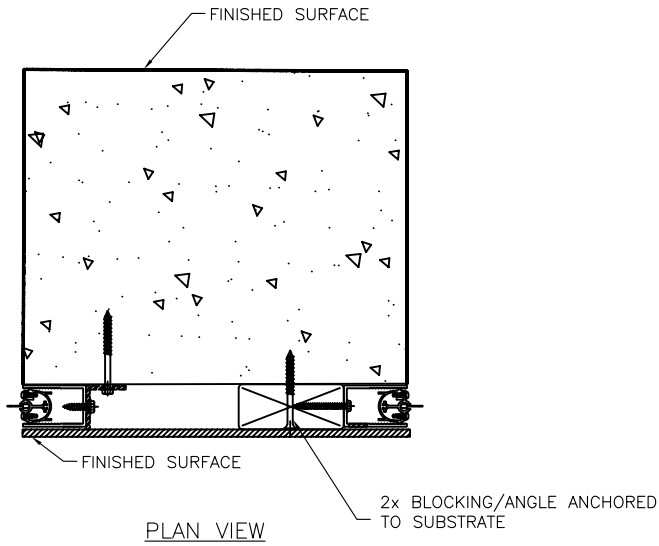
ELEVATION VIEW



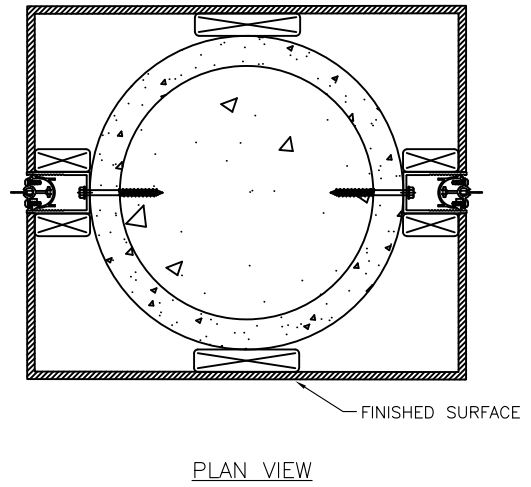
NOTE:
 FOR CONCRETE/MASONRY
 SUBSTRATE USE 1/4"Øx2 1/2"
 CONCRETE SCREW (TYP.),
 FOR WOOD FRAME USE
 1/4"Øx2 1/2" LAG SCREW (TYP.)

SECTION "a-a"
SECTION VIEW OF ROLL DOWN SCREEN ASSEMBLY
CONNECTION (BOTTOM ACCESS PANEL)

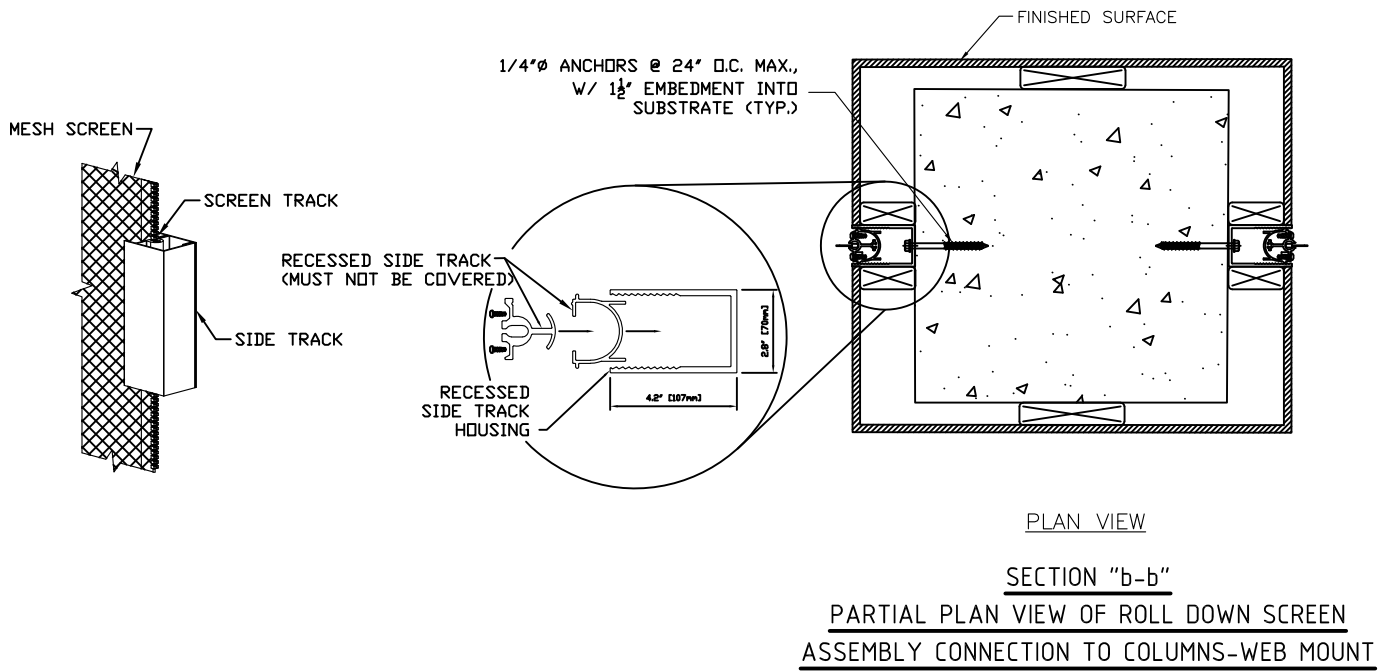
	Rev.	Revision	Date	By	DRAWN BY:	SCALE: N.T.S.	DATE: 12-5-19	A-01
						© 2019 SUNPRO MOTORIZED AWNINGS & SCREENS	RECESSED INSTALLATION	



PARTIAL PLAN VIEW OF ROLL DOWN SCREEN
ASSEMBLY CONNECTION TO COLUMNS-FLANGE MOUNT



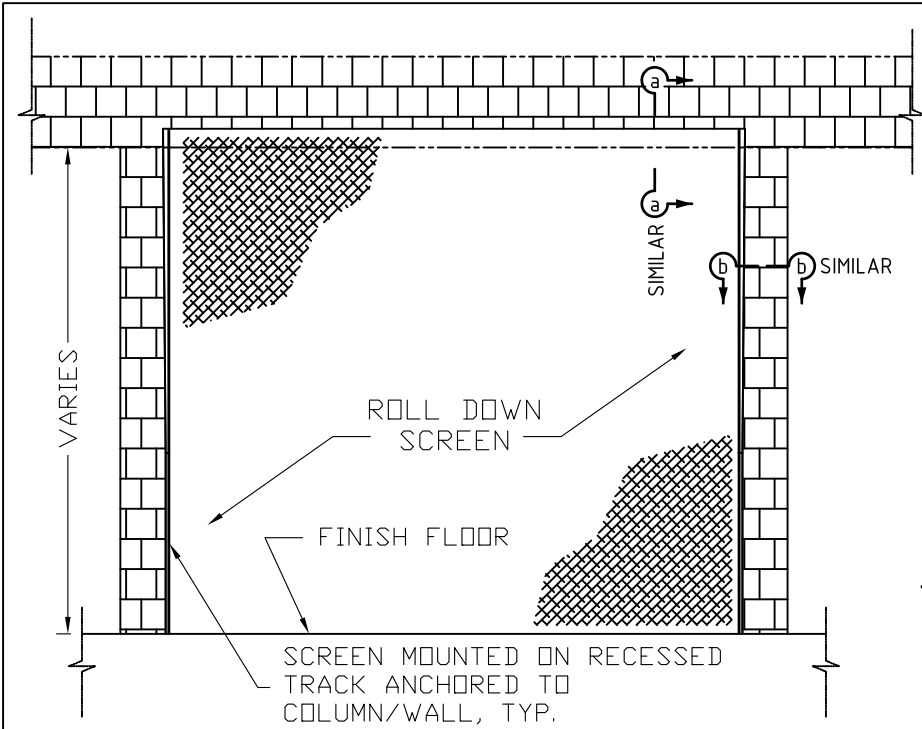
PARTIAL PLAN VIEW OF ROLL DOWN SCREEN
ASSEMBLY CONNECTION TO COLUMNS-WEB MOUNT



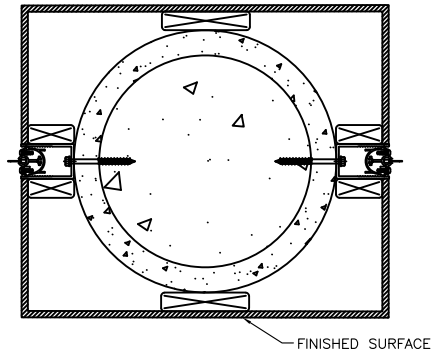
Rev.	Revision	Date	By

DRAWN BY:	SCALE: N.T.S.	DATE: 12-5-19
© 2019 SUNPRO MOTORIZED AWNINGS & SCREENS		RECESSED INSTALLATION

A-02



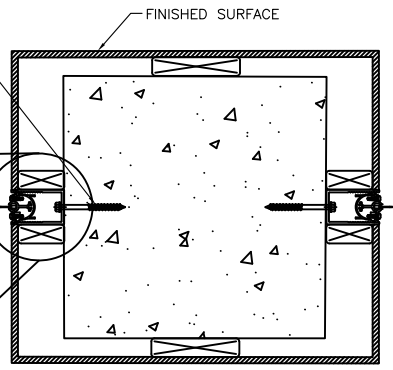
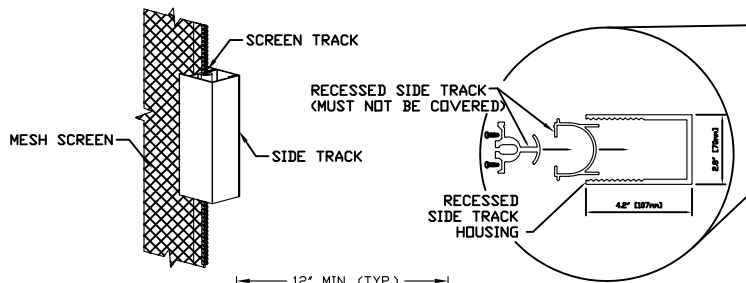
ELEVATION VIEW



PLAN VIEW

SECTION "b-b"

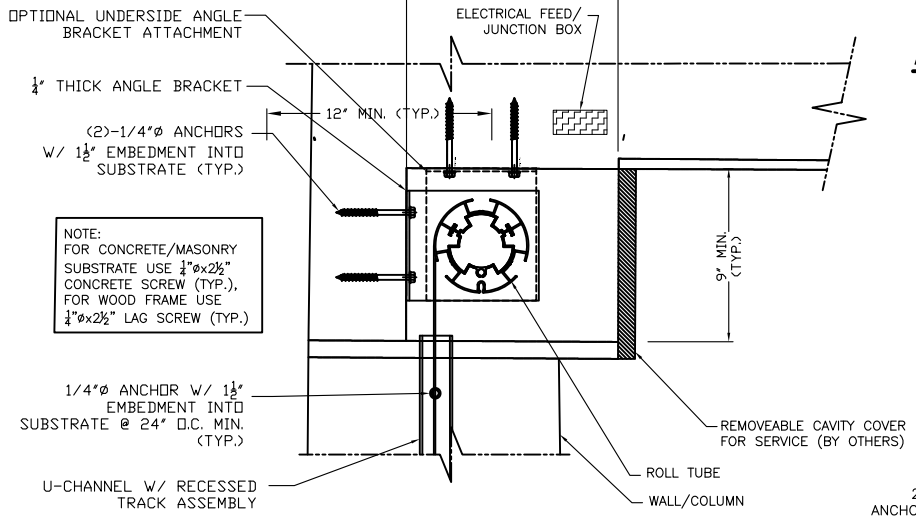
PARTIAL PLAN VIEW OF ROLL DOWN SCREEN ASSEMBLY CONNECTION TO COLUMNS-WEB MOUNT



PLAN VIEW

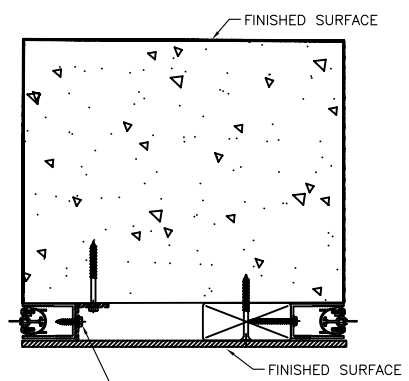
SECTION "b-b"

PARTIAL PLAN VIEW OF ROLL DOWN SCREEN ASSEMBLY CONNECTION TO COLUMNS-WEB MOUNT



SECTION "a-a"

SECTION VIEW OF ROLL DOWN SCREEN ASSEMBLY CONNECTION (SIDE ACCESS PANEL)



PLAN VIEW

SECTION "b-b"

PARTIAL PLAN VIEW OF ROLL DOWN SCREEN ASSEMBLY CONNECTION TO COLUMNS-FLANGE MOUNT



Rev.	Revision	Date	By

DRAWN BY: © 2019 SUNPRO MOTORIZED AWNINGS & SCREENS	SCALE: N.T.S. DATE: 12-5-19
--	--------------------------------

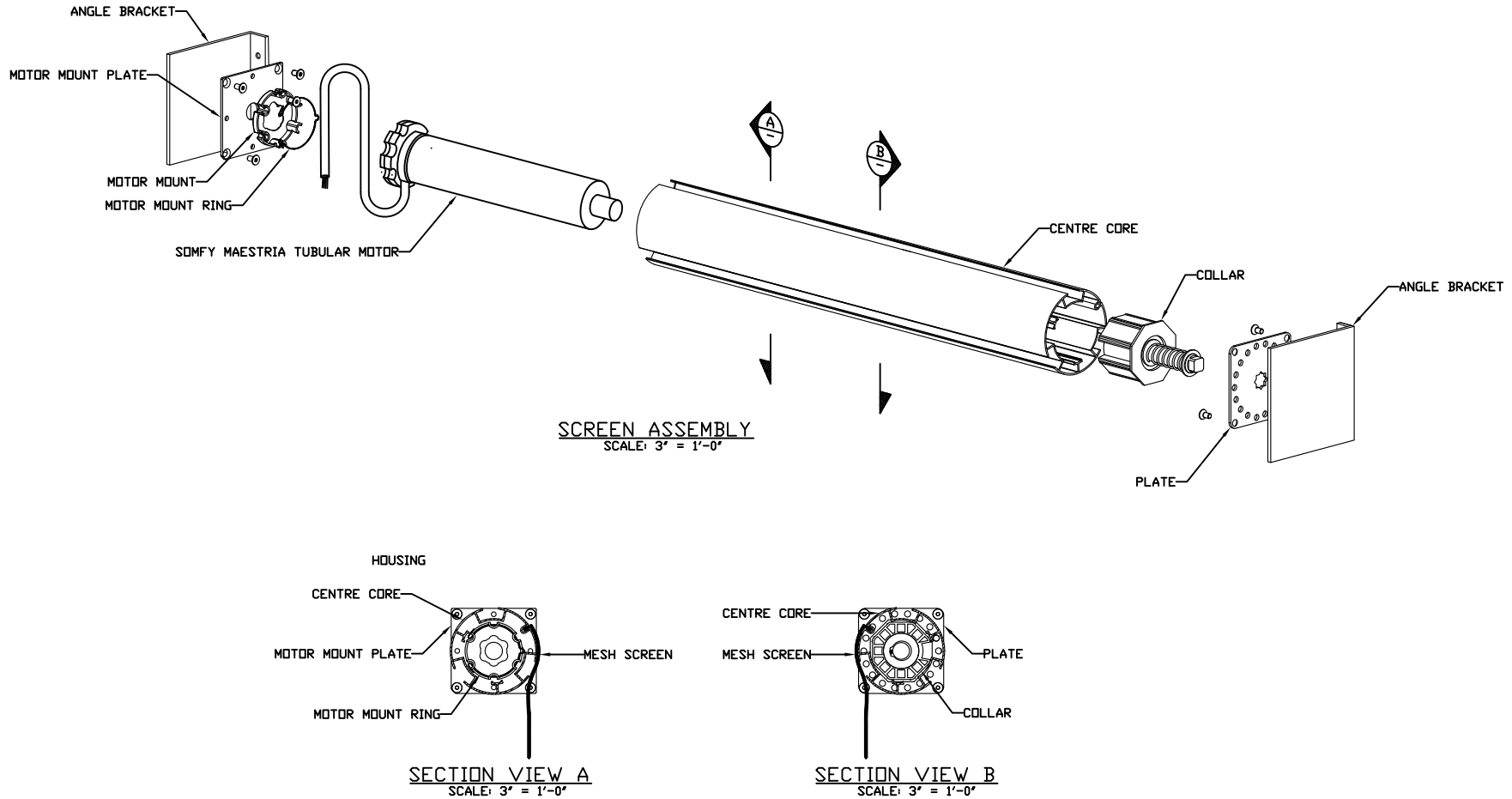
RECESSED INSTALLATION

A-03

Recessed Motorized Retractable Wall Screen

Exploded Schematic View

FOR ILLUSTRATION PURPOSES ONLY - ONLY CROSS SECTIONS DRAWN TO SCALE



A-04	
DATE: 12-5-19	RECESSED INSTALLATION
SCALE: N.T.S.	
DRAWN BY:	© 2019 SUNPRO MOTORIZED AWNINGS & SCREENS
Date	
By	
Revision	
Rev.	

